



www.vdo.com

TR7322U-OR RDS / MP3-USB TUNER (24 Volt)

OWNER'S MANUAL

VDO

Safety Information

■ Safety Information

Thank you for purchasing this product, please read the manual carefully before operating, and reserve it for future reference.

► PRECAUTIONS

- Use only in a 24-volt DC negative-ground electrical system.
- Disconnect the vehicle's negative battery terminal while mounting and connecting the unit.
- When replacing the fuse, be sure to use one with an identical amperage rating. Using a fuse with a higher amperage rating may cause serious damage to the unit.
- Make sure that pins or other foreign objects do not get inside the unit, they may cause malfunctions, or create safety hazards such as electrical shock.
- If you have parked the car for a long time in hot or cold weather, wait until the temperature in the car becomes normal before operating the unit.
- Keep the volume at a level at which you can hear outside warning sounds (horns, sirens, etc.).

► CAUTION

- DO NOT open covers and do not repair yourself. Consult the dealer or an experienced technician for help.

► BEFORE OPERATION

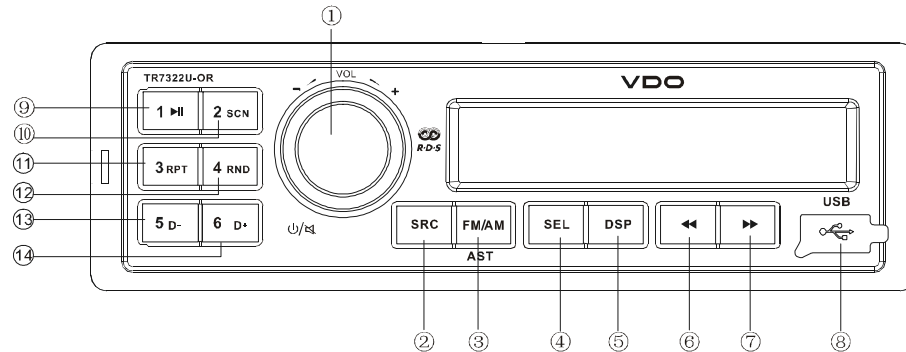
- Do not raise the volume level too much, as this will block outside sounds, making driving dangerous.
- Stop the car before performing any complicated operation.



Note: According to models with different wiring harness to connect the definition of the specific content, please refer to the model label.

Specifications and the design are subject to change without notice due to improvements in technology.

■ Panel Controls



- (1) - Power on
- Mute
- When on, hold it to power off.
- Rotate the knob to adjust the volume.
- (2) - Source
- Radio
- USB (when USB inserted)
- AUX IN
- (3) - Band switch:
FM1 -> FM2 -> FM3 -> AM1 -> AM2
- Hold it Automatically search station and store the signal strongly station to 1-6 Preset
- (4) - Press to select VOL/LOUD/PTY/AF/TA/BAS/TRE/BAL/FAD, Rotate the VOL knob to adjust value
- Hold it to select EQ preset mode: EQ OFF-CLASSIC-POP-ROCK-FLAT, Rotate the VOL knob to select

- (5) - display system clock
- Hold it to setting clock
- Radio mode:
display PTY info/system clock/current channel
- MP3 mode:
Turn and turn about folder name/file name/ID3 TAG/Clock
- (6) - Radio mode
- Auto search the station from high to low
- MP3 mode
Select the previous track
- (7) - Radio mode
- Auto search the station from low to high
- MP3 mode
Select the next track

- (8) - USB slot
- (9) - Play/pause
- (10) - Program intro play(10 sec.)
- (11) - MP3 repeat play
- (12) - MP3 random play
- (13) - MP3 folder back
- (14) - MP3 folder ahead
- (9-14) - 1-6 radio preset
Press to tune in a preset station.
Hold for more than 2 seconds to store current station.

Button Tips

■ Button Tips

MP3 Playback

Track skip

Press the ◀◀ / ▶▶ button to go to the previous or next track.

Hold it to enter fast forward or reverse back mode.

MP3 track fast search

Press the [5D-]/[6D+] button to select MP3 folder back/ahead.

Set Clock

Radio mode: press [DSP] button, Turn [VOL]-knob and turn display PTY/Clock/current channel.

MP3 playback mode: press [DSP] button, Turn [VOL]-knob and turn about folder name/file name/ID3 TAG/Clock.

Then press [DSP] button more than 2 seconds, minute display blinks, rotate the [VOL]-knob to set minute, press [DSP] button again, hour display blinks, rotate the [VOL]-knob to set hour, press [DSP] to confirm.

System setting

On the non time display menu:

Hold it [DSP] to enter the system setup menu, Rotate [VOL]-knob to adjust value.

BEEP - TA VOL - RETURN

Set the BEEP tone, setting for "on", key-press emit the BEEP tone, setting for "OFF" is not emit.

TA VOL setting: Set the unit volume When having receive RDS Station with TA info, Rotate [VOL] knob to adjust value.

RETURN: On the FM mode, set the TA time space Info of auto search with RDS.

Setting for "L", Auto search the TA time space for 180 sec, Setting for "S", auto search the TA time space for 45 sec

Tune

Radio seek automatically

Press the ◀◀ / ▶▶ button auto search the station from high to low or from low to high.

Radio tune by step

Hold ◀◀ / ▶▶ more than 2 seconds, switch to the manual mode, press the button step search the station from high to low or from low to high.

Manual Memory Store

At FM1/FM2/FM3/AM1/AM2 mode, press and hold button 1-6 to store current station in memory. You can store 36 stations in total. (18 FM/ 12 AM)

RDS

Press the [SEL]-button to set AF/TA, rotate the [VOL]-knob to open or close AF/TA function.

Press the [SEL]-button to PTY function, rotate the [VOL]-knob, display NEWS and POP program type.

When display NEWS, press the 1-6 button to select opposite preset

1-SPORT / 2-DRAMA / 3-CULTURE / 4-WEATHER / 5-TRAVEL / 6-SOCIAL

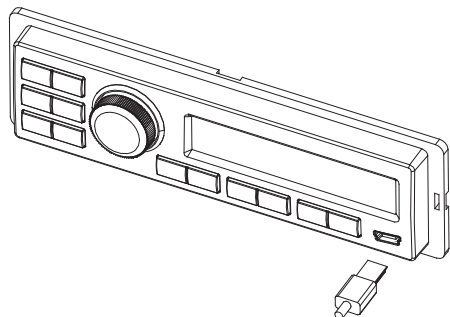
When display POP, press the 1-6 button to select opposite preset

1-ROCK / 2-EASY / 3-LIGHT / 4-CLASSICS / 5-JAZZ / 6-FOLK

■ USB Function Summarization

Loading/Take out USB equipment

1. Insert a USB device into the connector and the unit will begin to play automatically.
2. To stop playback of USB device, push the SRC button to non USB mode and then remove the USB device.



USB functions (flash memory type)

1. USB flash memory 2 in 1 support
2. FAT 12/FAT 16/FAT 32 format supported.
3. USB 1.1 support, USB 2.0 support (For 2.0, speed performance is as USB 1.1)
4. WMA files support
5. Maximum number of MP3 files is 1000. Maximum number of folders is 999.
6. Maximum USB capacity support is cap at 8 GB and best performance with songs not more than 500, and not exceeding 30 folders.
7. Not all USB devices are compatible with the unit.

Troubleshooting

■ Troubleshooting

The following checklist can help you solve some problems which you may encounter when using the unit. Before consulting it, check the connec-

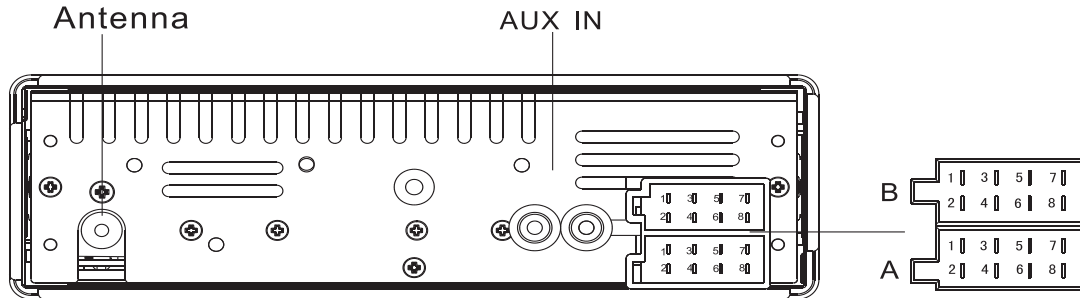
tions and follow the instructions in the user manual. Do not use the unit in abnormal condition, for example without sound, or with smoke or foul smell

can cause fire or electric shock, immediately stop using it and call the store where you purchased it.

Problem	Possible cause	Solution
General		
The unit will not switch on.	Car ignition is not on.	Turn your car key in the ignition.
	Cable is not properly connected.	Check cable connection.
	Fuse is burnt.	Replace fuse with a new fuse of the same capacity.
No sound	Volume is set at minimum or the mute function is on.	Check the volume or switch the mute function off.
Mode TUNER		
Unable to receive stations.	The antenna is not connected properly.	Connect the antenna properly.
Poor quality reception of radio station.	The antenna is not fully extended or it is broken.	Fully extend the antenna and if broken, replace it with a new one.
Preset stations are lost.	The battery cable is not properly connected.	Connect the permanent live on the unit to the permanent live on the vehicle.
Mode USB		
Unable to insert USB device.	The USB device has been inserted the wrong way round.	Insert it the other way around.
The USB device cannot be read.	NTFS format is not supported.	Check that the file system is in FAT or FAT32 format. Due to different formats, some models of storage devices or MP3 players may not be read.

■ Electrical Connections

Wiring Diagram



Location	Function	Location	Function
A1	No Function	B1	Rear R+
A2	Telephone Mute High	B2	Rear R-
A3	Telephine Mute Low	B3	Front R+
A4	Ignition	B4	Front R-
A5	Antenna remote	B5	Front L+
A6	Illumination	B6	Front L-
A7	Battery +	B7	Rear L+
A8	Power Ground	B8	Rear L-

Specifications

■ Specifications

General

Power supply:	24 V DC (18 V-32 V)
Maximum power output:	4 X 10 W
Suitable speaker impedance:	8 Ohm
Fuse spec:	5 A
Weight:	0.8 kg
Dimensions (WxDxH):	178 x 119.8 x 50 mm

FM Stereo Radio

Frequency range:	87.5 - 108.0 MHz
Signal/noise ratio:	50 dB
Step:	50 KHz

AM (MW) Radio

Frequency range:	522-1620 KHz
Step:	9 KHz
backup current:	≤ 5 mA

Continental Trading GmbH

Sodener Str. 9
65824 Schwalbach
Germany

Support & Download → www.vdo.com

